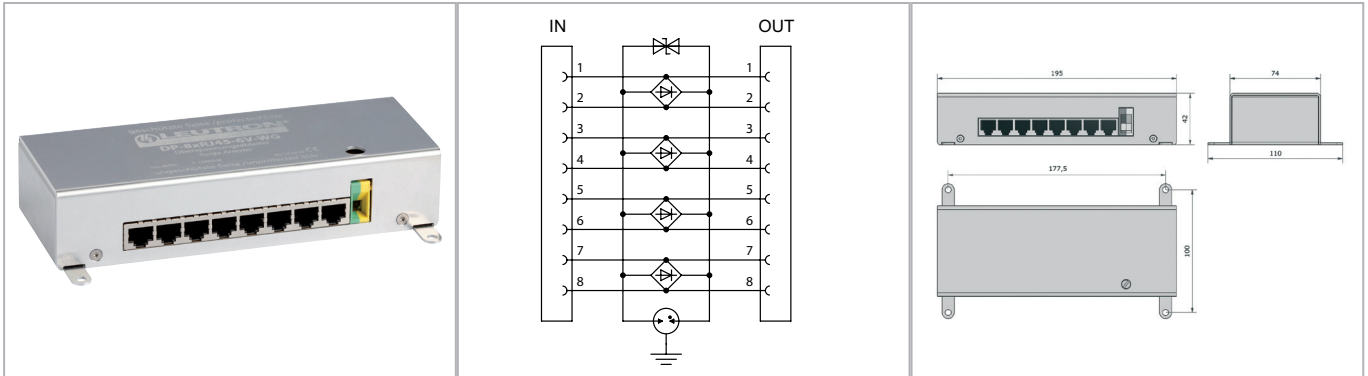


# Datasheet

## Surge protection for information technology and telecommunication installations

### Cat5 Application



Compact surge protective module in a wall housing for the protection of data networks and network devices such as hubs, switches, server and desktop computer. All 8 signal lines (4 pair of wires) are protected simultaneously.

- Applicable at the boundaries LPZ 1 - 2 and higher
- RJ45 wall housing for eight ports
- Suitable for Cat. 5 / class D applications (up to Gbit Ethernet)
- Compatible to 10Base T / 100Base T
- Test standard: IEC 61643-21 / EN 61643-21
- 6 ports à 6 V DC and 2 ports à 48 V DC
- EAC certification

Technical Data		DP 8xRJ45-6x6V/2x48V-WG
IEC category		C2 / C1 / C3
Nominal voltage DC	UN	6 × 6 V = / 2 × 48 V =
Max. continuous operating voltage DC	Uc	8,1 V =
Nominal current per line	IL	100 mA
C1 nominal discharge current (8/20 μs) per line	In	200 A
C2 Total discharge current (8/20 μs) line-earth (PE)	I <sub>max</sub>	2,5 kA
C1 protection level line-line at In	Up	≤ 76 V
C1 protection level line-earth at In	Up	≤ 243 V
C3 protection level line-line at 1 kV/μs	Up	≤ 146 V
C3 protection level line-earth at 1 kV/μs	Up	≤ 243 V
Response time line-line/ line-shield	tA	≤ 1 ns
Response time line-PE; PE-shield	tA	< 100 ns
Max. frequency	fG	100 MHz
Operating temperature range	TU	-40 - +80 °C
Terminal input/output		8 × RJ45, shielded
Degree of protection (IEC EN 60529)		IP 20
Housing material		Aluminium Enclosures

Order Data	
Product	DP 8xRJ45-6x6V/2x48V-WG
Article-No.	19 40 51