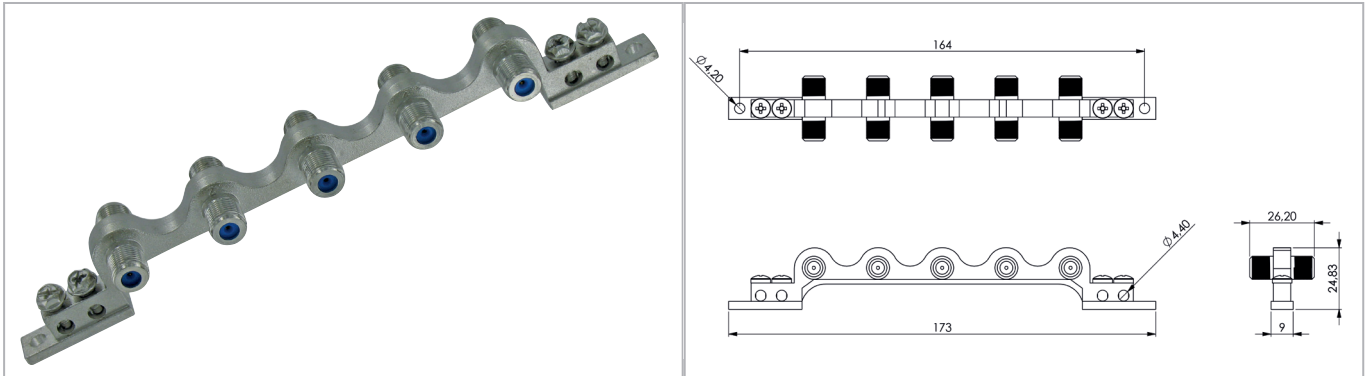


Accessories for DP-SAT-F



Earthing (grounding) block for five pieces DP-SAT-F-5 ... 2500MHz. Excellent electrical properties ensure almost loss-free transmission and minimal reflections

- Solid, stable 5 F grounding block for the proper grounding of antenna systems
- Large assembly-friendly distance from socket to socket
- Connections 2 x 5 F sockets
- 4 x earthing connections up to 10 mm²

Technical Data		DP-SAT-EB5
Netweight per piece		90 g
Dimensions (L x W x H)		173 x 24,83 x 26,2 mm
Order Data		
Product	DP-SAT-EB5	
Article-No.	17 01 80	